

BUTTERFLY VALVE – BV SERIES

Main applications

Butterfly pressure control valves for downstream applications.

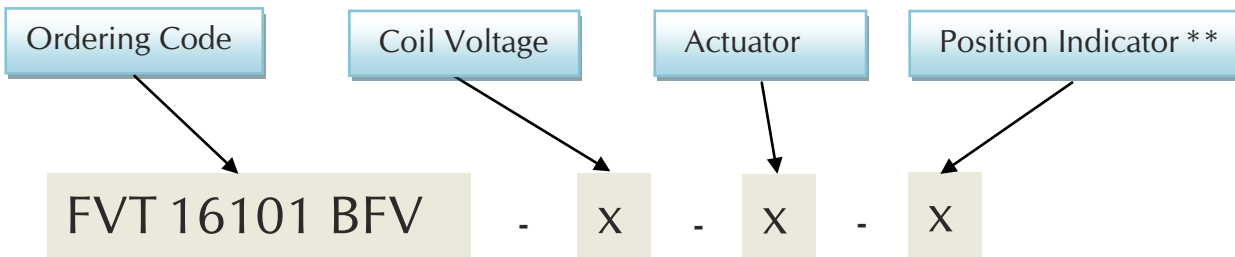
Extremely short control response time and position indication. The valves have a polished stainless steel flanged body with a Viton 'O' ring. Sealed butterfly type plate and shaft. The valves are fitted with micro switches on the pneumatic cylinder which indicate when the valve is open or closed.

Model Ordering Code	NW	
	mm	inch
FVT 16101 BFV	25	1
FVT 26102 BFV	50	2
FVT 36103 BFV	63	2½
FVT 46104 BFV	80	3
FVT 56105 BFV	100	4
FVT 66106 BFV	160	6
FVT 86108 BFV	250	10
FVT 96109 BFV	320	12

Coil Voltages	Code
24 V DC	D
24 V AC.	A1
220 V AC.	A2
Without Coil	A0



Controller Configuration: Example.



Actuator – P (Pneumatic), M (Manual)

Position Indicator – Y, Without Position Indicator – N

** (Position indicator micro switch available for pneumatic actuated valves only)

Features

Pneumatic or manual operation
High conductivity
Resists atmosphere in either direction
Compact and quick acting

Technical data

Leak rate : $< 10^{-9}$ mbar l s-1
Pressure range : 10^{-6} mbar – 2bar Abs
Differential pressure on the plate : 1000 mbar / 750 Torr

Temperature

Operating temperature range : 5 - 40 °C
Maximum baking temperature : ≤ 200 °C (without actuator).
Solenoid valve, position indicator : ≤ 80 °C

Material

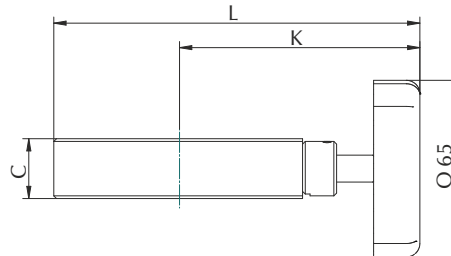
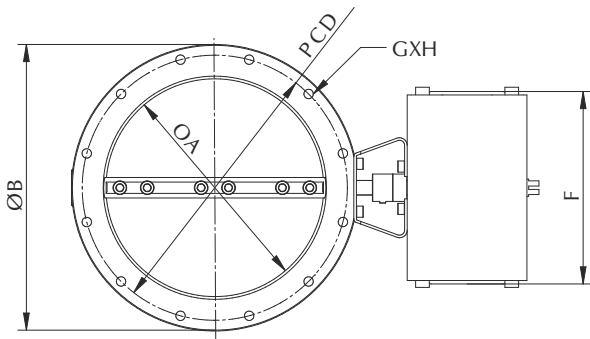
Valve body : AISI 304.
Plate : AISI 304.

Seal

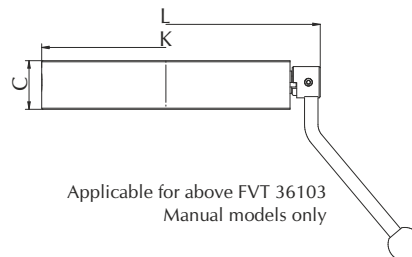
Plate : Viton
Maximum operations per hour: cycles : 360/hr.
Pneumatic connectors : 1/8 inch BSP for 6mm OD tube.
Operating pneumatic pressure : 4.5 to 6bar.
Mounting position : Any

Position indicator: contact rating

Voltage : 30 V AC / DC
Current : 500 mA
Max power : 6 W / 6 VA



Applicable for FVT 36101 & FVT26102
Manual models only



Applicable for above FVT 36103
Manual models only

Model	NW	ØA	ØB	C	D	E	F	K	L	GXH	WT P/M-Kg
FVT 16101 BFV	ISO 25	26	70	19	209	65	140	75	110	Ø6.5X4Nos PCD55	1.88/0.6
FVT 26102 BFV	ISO 50	52	95	22	234	65	140	88	135	Ø6.5X4Nos PCD80	2.4/96
FVT 36103 BFV	ISO 63	70	130	25.5	264	65	140	88	153	Ø9X4Nos PCD110	3.67/2.26
FVT 46104 BFV	ISO 80	83	145	30	280	65	140	95	168	Ø9X8Nos PCD125	4.53/3.2
FVT 56105 BFV	ISO 100	102	165	33	300	65	140	106	189	Ø9X8Nos PCD145	5.63/4.22
FVT 66106 BFV	ISO 160	153	225	43.5	361	65	140	136	250	Ø11X8Nos PCD200	10.52/9.1
FVT 86108 BFV	ISO 250	261	335	56	546	122	225	205	372	Ø11X12Nos PCD310	30/21.6
FVT 96109 BFV	ISO 320	318	425	60	636	122	225	250	460	Ø14X12Nos PCD395	48/39.6

Seals Kit Order Code	NW	
	mm	inch
FVT 16101 BFV_SK	25	1
FVT 26102 BFV_SK	50	2
FVT 36103 BFV_SK	63	2½
FVT 46104 BFV_SK	80	3
FVT 56105 BFV_SK	100	4
FVT 66106 BFV_SK	160	6
FVT 86108 BFV_SK	250	10
FVT 96109 BFV_SK	320	12



Flyvacuum Technologies Pvt. Ltd.

No.338, 9th Cross, 4th Phase

Peenya, Bangalore 560 058, Karnataka, INDIA

Tel.: +91 80 4852 1441

email: marketing@flyvacuum.com

www.flyvacuum.com