

GATE VALVE – FVT-GV SMALL SERIES

Manual operated

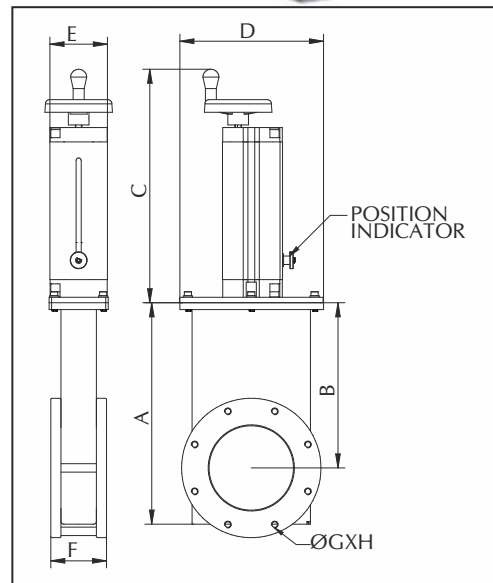
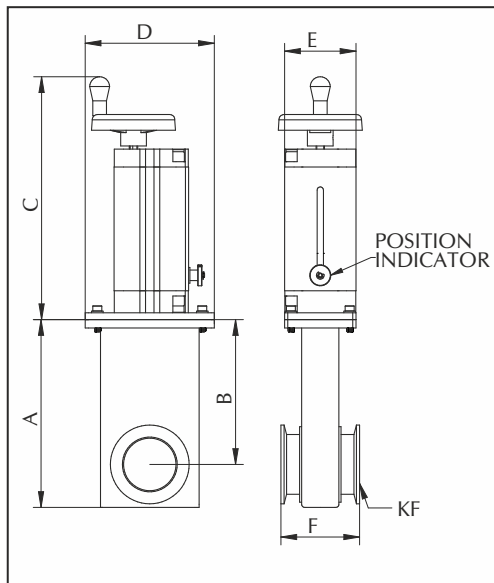
Main applications

High-performance, the valves have a polished stainless steel flanged body with a Viton 'O' ring seal.

The valves are fitted with micro switches on the pneumatic cylinder which indicate when the valve is open or closed. Manual operated valves fitted with position indicator.



Model OrderingCode	FLANGE	
	mm	inch
FVT251012GVM	ISO50	2
FVT251014GVM	ISO63	2.5
FVT251015GVM	ISO80	3
FVT251016GVM	ISO100	4



Model	NW	A	B	C	D	E	F	GXH	WT/Kg
FVT251012GVM	KF50	179	138	132	123	68	75	---	4
FVT251014GVM	ISO63	215	166	232	123	68	66	M6X4Nos PCD110	6.3
FVT251015GVM	ISO80	223	166	232	140	68	66	M6X8Nos PCD125	7.2
FVT251016GVM	ISO100	266	195	276	170	68	66	M6X8Nos PCD145	8.6

Pneumatic operated

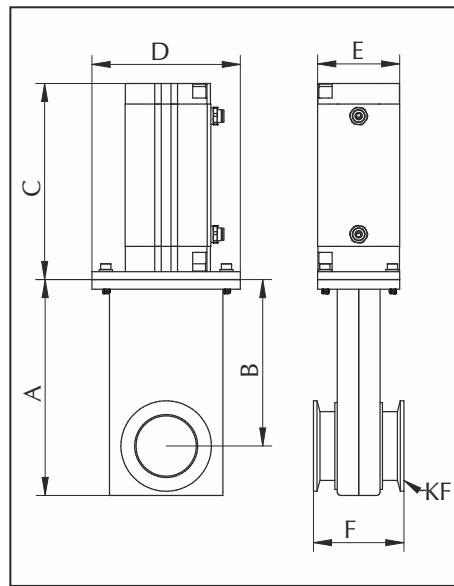
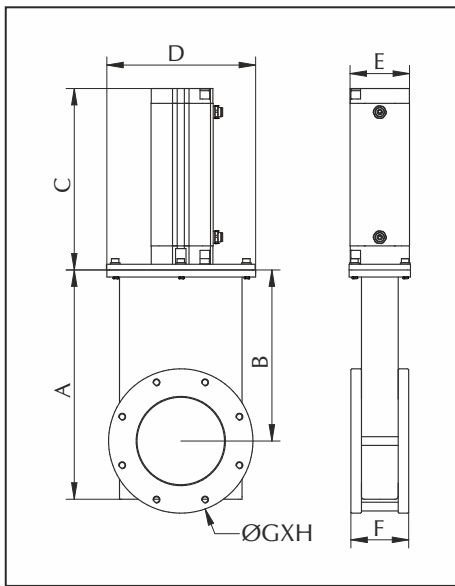
Main applications

High-performance, the valves have a polished stainless steel flanged body with a Viton 'O' ring seal.

The valves are fitted with micro switches on the pneumatic cylinder which indicate when the valve is open or closed. Manual operated valves fitted with position indicator.



Model Ordering Code	FLANGE	
	mm	inch
FVT251012 GVP	KF50	2
FVT251014 GVP	ISO 63	2.5
FVT251015 GVP	ISO 80	3
FVT251016 GVP	ISO 100	4

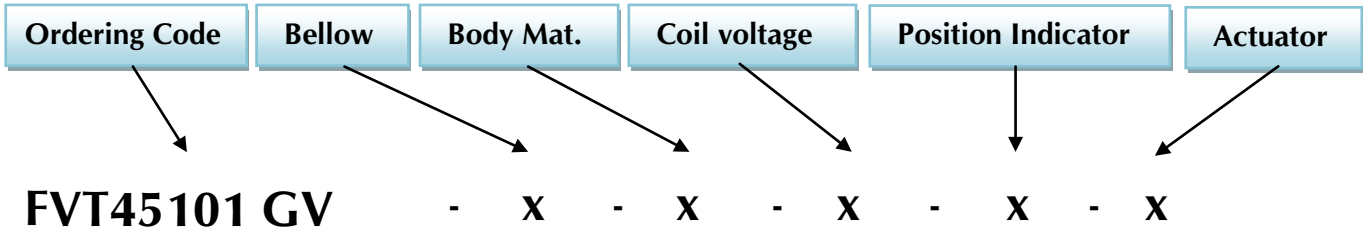


Model	NW	A	B	C	D	E	F	GXH	WT/Kg
FVT251012 GVP	KF50	179	138	163	123	68	75	KF50	3.9
FVT251014 GVP	ISO 63	215	166	163	123	68	66	M6X4Nos PCD110	6.2
FVT251015 GVP	ISO 80	223	166	163	140	68	66	M6X8Nos PCD125	7
FVT251016 GVP	ISO 100	266	195	207	170	68	66	M6X8Nos PCD145	8.4

Main applications

High-performance, the valves have a polished stainless steel flanged body with a Viton 'O' ring seal.

The valves are fitted with micro switches on the pneumatic cylinder which indicate when the valve is open or closed.



With Bellow – B, Without Bellow – O

Actuator – P (Pneumatic).

With Position Indicator – Y, without Position Indicator – N

Body Material – S (SS304), SL (SS304L).

Features

Valve Body/Gate Construction: 304/304L Stainless Steel

Surface Finish: Glass Blast/White powder Coated.

Bellows sealed rated up to 1 million cycles*

Actuator: Electro-pneumatic.

Magnetic Position Indicators Standard.

Viton O-rings at Flange, Gate, Bonnet, and Bellows

No Lubricates in Vacuum

No Springs – Long life mechanism designed for 2 million cycles.

Technical data

Leak rate ` : <math> < 10^9 \text{ std cc/sec He-1}</math>

Vacuum Rating : $1 \times 10^{-7} \text{ torr (} 1.3 \times 10^{-7} \text{ mbar)}$

Seals in either direction with max differential pressure across gate : 1.5atm (1.47 bar)

differential pressure across gate : 1.5atm (1.47 bar)

Temperature

Operating temperature range : 5 - 40 °C

Maximum baking temperature : ≤ 200 °C (without actuator).

Solenoid valve, position indicator : ≤ 80 °C

Material

Valve body : AISI 304.

Plate : AISI 304L.

Coil Voltages	Code
24 V DC	D
24 V AC.	A1
220 V AC.	A2
Without Coil	A0

Seals Kit Order Code	NW	
	mm	inch
FVT251012 GV-SK	KF50	2
FVT251014 GV-SK	ISO 63	2.5
FVT251015 GV-SK	ISO 80	3
FVT251016 GV-SK	ISO 100	4

Seal

Plate : Viton
 Pneumatic connectors : 1/8 inch BSP for 6mm OD tube.
 Pneumatic pressure : 4.5 to 6bar.
 Mounting position : Any
 Operation : Air to open/Air to close

Position indicator: contact rating

Voltage : 30 V AC / DC
 Current : 500 mA
 Max power : 6 W / 6 VA

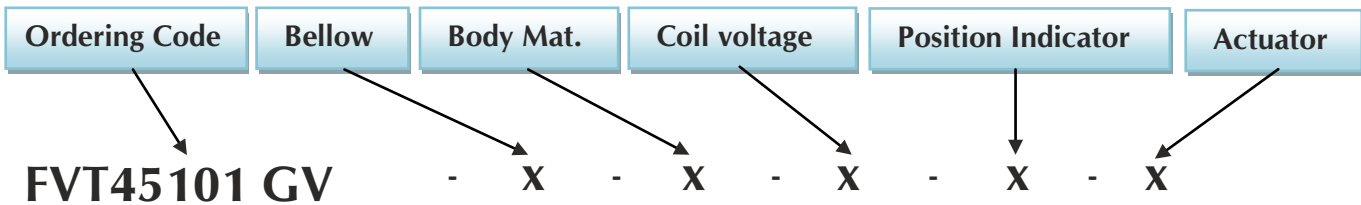
Main applications

High-performance, the valves have a polished stainless steel flanged body with a Viton 'O' ring seal.

The valves are fitted with micro switches on the pneumatic cylinder which indicate when the valve is open or closed.



Seals Kit Order Code	NW	
	mm	inch
FVT45101 GV_SK	ISO 100	4
FVT65102 GV_SK	ISO 160	6
FVT85103 GV_SK	ISO 200	8
FVT105104 GV_SK	ISO 250	10
FVT125105 GV_SK	ISO 320	12



With Bellow – B, Without Bellow – O
 Actuator – P (Pneumatic).
 With Position Indicator – Y, without Position Indicator – N
 Body Material – S (SS304), SL (SS304L).

Features

- Valve Body/Gate Construction: 304/304L Stainless Steel
- Surface Finish: Glass Blast/White powder Coated.
- Bellows sealed rated up to 1 million cycles*
- Actuator: Electro-pneumatic.
- Magnetic Position Indicators Standard.
- Viton O-rings at Flange, Gate, Bonnet, and Bellows
- No Lubricates in Vacuum
- No Springs – Long life mechanism designed for 2 million cycles.

Technical data

Leak rate` : < 10⁹ std cc/sec He-1
 Vacuum Rating : 1 x 10⁻⁷ torr (1.3 x 10⁻⁷ mbar)
 Seals in either direction with max differential pressure across gate : 1.5atm (1.47 bar)

Coil Voltages	Code
24 V DC	D
24 V AC.	A1
220 V AC.	A2
Without Coil	A0

Temperature

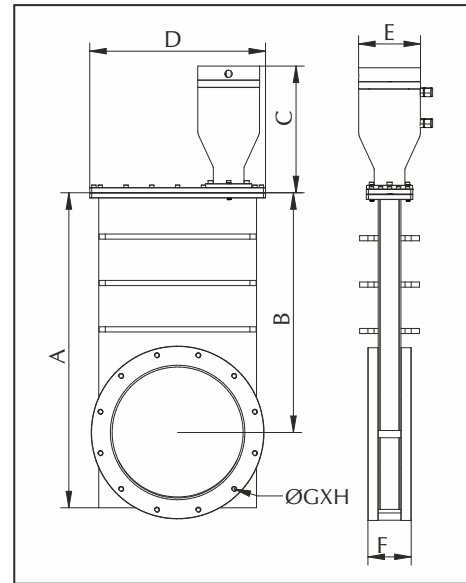
Operating temperature range : 5 - 40 °C
 Maximum baking temperature : ≤ 200 °C
 (without actuator).
 Solenoid valve, position indicator : ≤ 80 °C

Material

Valve body : AISI 304.
 Plate : AISI 304L.

Seal

Plate : Viton
 Pneumatic connectors : 1/8 inch BSP for
 6mm OD tube.
 Pneumatic pressure : 4.5 to 6bar.
 Mounting position : Any
 Operation : Air to open/Air to close



Position indicator: contact rating

Voltage : 30 V AC / DC
 Current : 500 mA
 Max power : 6 W / 6 VA

Model	NW	A	B	C	D	E	F	GXH	WT/Kg
FVT45101 GV	ISO 100	535	237	220	200	96	68	Ø9X8Nos PCD145	15
FVT65102 GV	ISO 160	432	331	246	249	108	72	Ø11X8Nos PCD200	24
FVT85103 GV	ISO 200	522	391	246	294	120	80	Ø11X12Nos PCD260	36
FVT105104 GV	ISO 250	611	465	245	341	120	84	Ø11X12Nos PCD310	50
FVT12105 GV	ISO 320	745	568	252	409	125	92	Ø14X12Nos PCD395	80

Seals Kit Order Code	NW	
	mm	inch
FVT45101 GV_SK	ISO 100	4
FVT65102 GV_SK	ISO 160	6
FVT85103 GV_SK	ISO 200	8
FVT105104 GV_SK	ISO 250	10
FVT125105 GV_SK	ISO 320	12



Flyvacuum Technologies Pvt. Ltd.

No.338, 9th Cross, 4th Phase

Peenya, Bangalore 560 058, Karnataka, INDIA

Tel.: +91 80 4852 1441

email: marketing@flyvacuum.com

www.flyvacuum.com