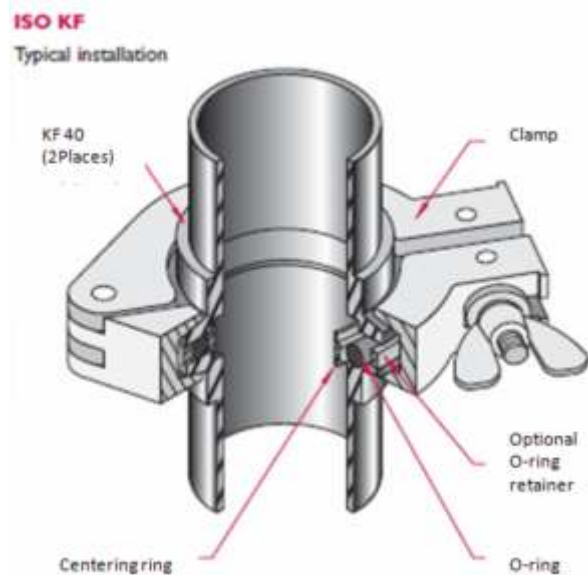


ISO KF FLANGES AND FITTINGS

ISO KF Flanges and fittings

Features

Fast connect and disconnect.
316L Stainless steel fittings.
All-metal aluminium clamps.
Viton® O-ring bake able to 150°C.
Single wing nut closure.
ISO compatible.



ISO KF vacuum systems employ components with metric interface dimensions which have been defined by the International Standards Organisation (ISO).

Use ISO KF for tube sizes DN16 to DN50.

Our standard range of KF flanges and fittings are manufactured from 304 stainless steel.

ISO KF constitutes an economical system of reusable interfacing stainless steel vacuum fittings and components.

Assemblies are usable to 10^{-7} m.bar.

Maximum temperature for sustained use is 150°C. They are ideal for vacuum systems requiring regular assembly and disassembly.

Each vacuum seal is made by compression of an O-ring on a centring ring between mating flanges. The seal is made in seconds by finger-closure of a wing nut on the all-metal hinged aluminium clamp.

The ISO KF family of modular building block components includes all commonly used standard fittings, feed through and accessories.

Reducing flanges are available to connect different size components.

Centring Ring

Centring ring assemblies are placed between two ISO flanges with matching outer diameters. The widest portion of the centring ring rests inside a capture groove on the flange and the O-ring rests on the flat polished surface outside the capture groove.

On a blank flange, the groove seen on the face of a flange is the capture groove, with the O-ring making contact with this flange face just outside the groove.

ISO Flanges and Fittings

Aluminium Viton® O-ring

Maximum bake out temperature 200°C, Sustained use to 150°C Aluminium

Stainless steel Viton® O-ring

Maximum bake out temperature 200°C, Sustained use to 150°C Stainless steel

Stainless steel silicone O-ring

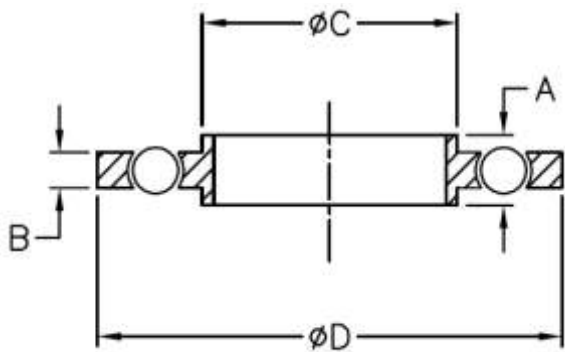
For use in corrosive environments where silicone is acceptable Maximum bake out temperature 150°C Sustained use to 120°C



Adaptor rings

Viton® O-ring

Maximum bake out temperature 200°C, Sustained use to 150°C Stainless steel



*S-Stainless steel

A-Aluminium

**V-Viuton O-ring

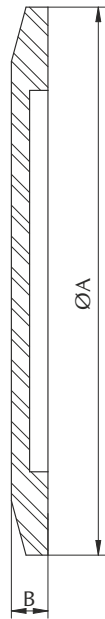
S-Silicon O-ring

	A	B	C	D	Order Code
NW10	8	3.9	12	--	FVT01010*CR**
NW16	8	3.9	17	--	FVT01611*CR**
NW25	8	3.9	26.2	--	FVT02512*CR**
NW40	8	3.9	41	63	FVT04013*CR**
NW63	8	3.9	70	94	FVT06315*CR**
NW80	8	3.9	83	109	FVT08016*CR**
NW100	8	3.9	102	128	FVT10017*CR**
NW160	8	3.9	153	179	FVT16018*CR**
NW200	8	3.9	213	239	FVT20019*CR**
NW250	8	3.9	261	287	FVT25020*CR**
NW320	14	5.6	318	358	FVT32021*CR**
NW400	14	5.6	400	440	FVT40022*CR**
NW500	14	5.6	501	541	FVT50023*CR**
NW630	14	5.6	630	670	FVT63024*CR**

All dimensions in mm

*S-Stainless steel, A-Aluminium

ISO KF BLANK FLANGE



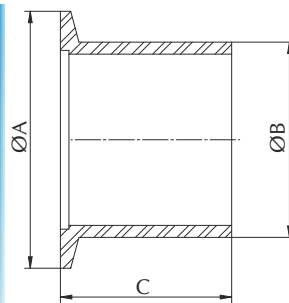
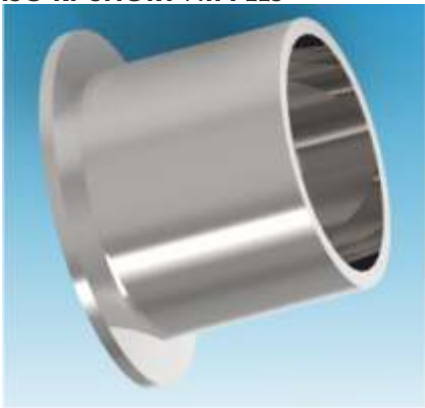
	A	B	Order Code
NW10	30	5	FVT01060BF*
NW16	30	5	FVT01661BF*
NW25	40	5	FVT02562BF*
NW40	55	5	FVT04063BF*
NW50	75	5	FVT05064BF*

All dimensions in mm
*S-Stainless steel, A-Aluminium

Features

- HV rated to 1×10^{-7} mbar
- High-temperature rated to 200°C
- Symmetric, non-rotatable geometry
- Elastomer O-ring seal
- Clamp-style fastening
- ISO-compatible design

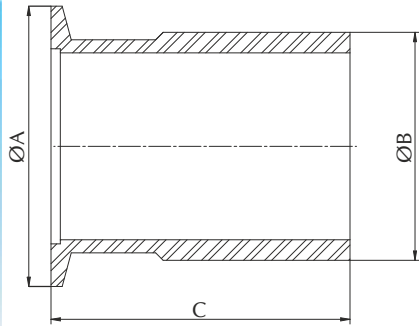
ISO KF SHORT NIPPLES



	A	B	C	Order Code
NW10	30	14	50	FVT01070SN*
NW16	30	20	50	FVT01671SN*
NW25	40	28	50	FVT02572SN*
NW40	55	44.5	50	FVT04073SN*
NW50	75	57	50	FVT05074SN*

All dimensions in mm
*SS304/SS304L/SS316

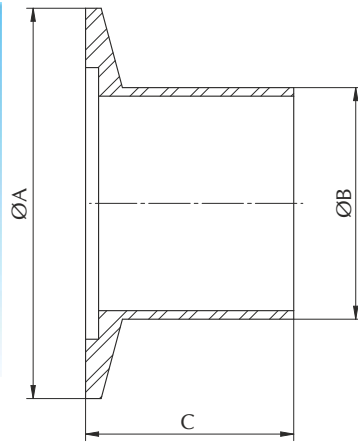
ISO KF LONG NIPPLES



	A	B	C	Order Code
NW10	30	18	80	FVT01080LN*
NW16	30	24	80	FVT01681LN*
NW25	40	32	80	FVT02582LN*
NW40	55	48.5	80	FVT04083LN*
NW50	75	61	80	FVT05084LN*

All dimensions in mm
*SS304/SS304L/SS316

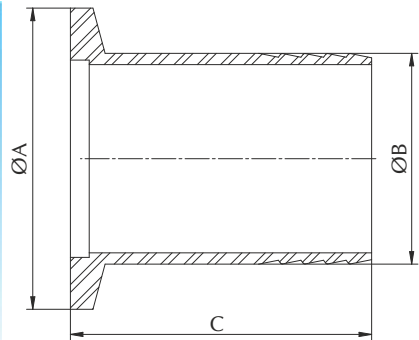
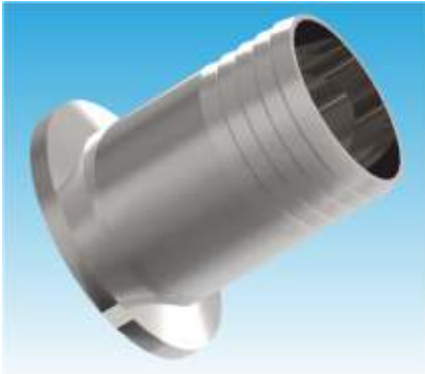
ISO KF REDUCING NIPPLES



	A	B	C	Order Code
NW16/10	30	14	40	FVT01690RN*
NW25/16	30	20	40	FVT02591RN*
NW40/25	55	28	40	FVT04092RN*
NW50/40	75	44.5	40	FVT05093RN*

All dimensions in mm
*SS304/SS304L/SS316

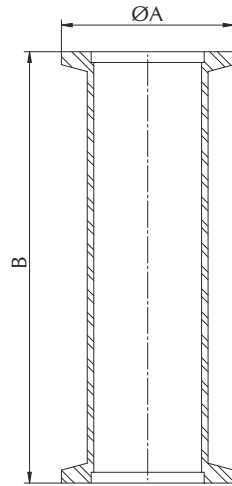
ISO KF RIBBED NIPPLES



	A	B	C	Order Code
NW16	30	40	19.1	FVT01696RN*
NW25	40	40	22.2	FVT02597RN*
NW40	55	40	41.3	FVT04098RN*
NW50	75	40	47.7	FVT05099RN*

All dimensions in mm
*S-Stainless steel, A-Aluminium

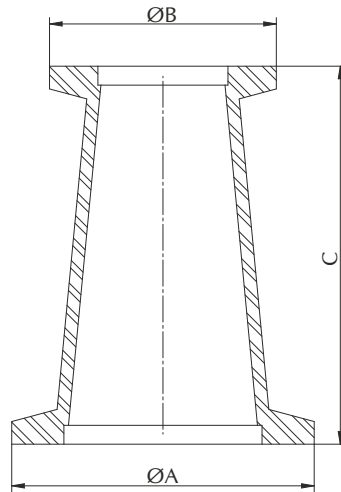
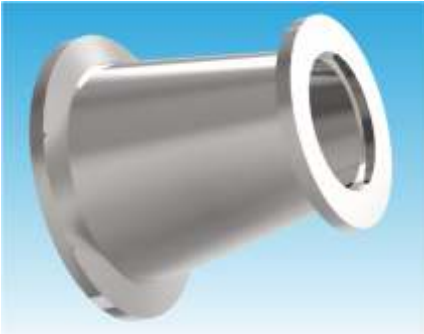
ISO KF FULL NIPPLES



	A	B	Order Code
NW16	30	80	FVT016101FN*
NW25	40	100	FVT025102FN*
NW40	55	130	FVT040103FN*
NW50	75	160	FVT050104FN*

All dimensions in mm
 *S-Stainless steel, A-Aluminium
 Custom length available on request

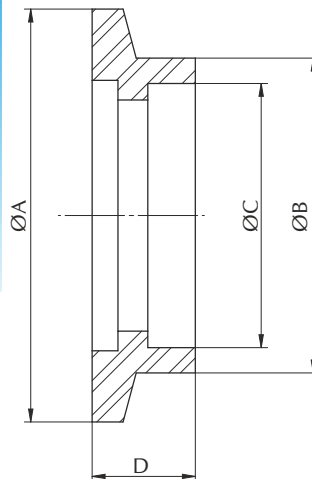
ISO KF REDUCER NIPPLES



	A	B	C	Order Code
NW25/16	40	30	50	FVT2516RN*
NW40/16	55	30	50	FVT4016RN*
NW40/25	55	40	50	FVT4025RN*
NW50/16	75	30	50	FVT5016RN*
NW50/25	75	40	50	FVT5025RN*
NW50/40	75	55	50	FVT5040RN*

All dimensions in mm
 *S-Stainless steel, A-Aluminium

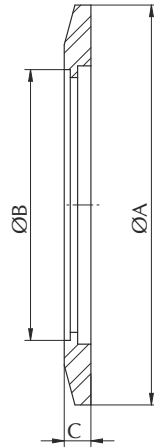
ISO KF SOCKET WELD NIPPLES



	A	B	C	D	Order Code
NW16	30	16	12.7	8	FVT016110SWN*
NW25	40	30.5	25.4	10	FVT025111SWN*
NW40	55	43	38.1	12	FVT040112SWN*
NW50	75	57	51.2	13	FVT050113SWN*

All dimensions in mm
 *SS304/SS304L/SS316

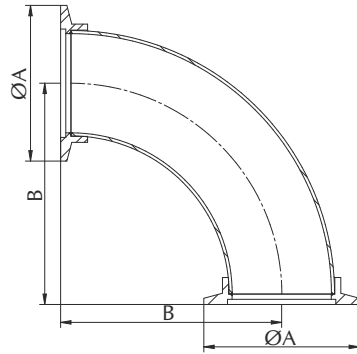
ISO KF WELD FLANGES



	A	B	C	Order Code
NW16	30	12.7	5	FVT016114SWF*
NW25	40	25.4	5	FVT025115SWF*
NW40	55	38.1	5	FVT040116SWF*
NW50	75	51.2	5	FVT050117SWF*

All dimensions in mm
*SS304/SS304L/SS316

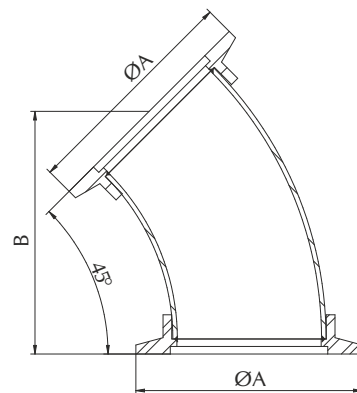
ISO KF 90° RADIAL ELBOWS



	A	B	Order Code
NW16	30	32	FVT016120RE*
NW25	40	44	FVT025121RE*
NW40	55	82	FVT040122RE*
NW50	75	106	FVT050123RE*

All dimensions in mm
*SS304/SS304L/SS316

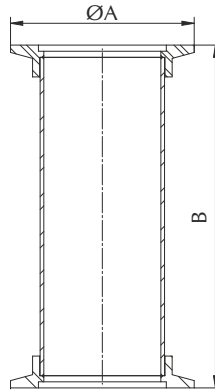
ISO KF 45° RADIAL ELBOWS



	A	B	Order Code
NW16	30	25	FVT016140RE*
NW25	40	36	FVT025141RE*
NW40	55	88	FVT040142RE*
NW50	75	80	FVT050143RE*

All dimensions in mm
*SS304/SS304L/SS316

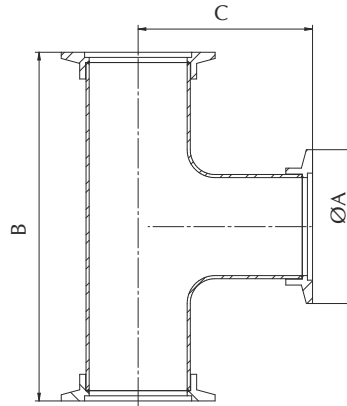
ISO KF STRIGHT TUBES



	A	B	Order Code
NW16	30	80	FVT016132ST*
NW25	40	100	FVT025133ST*
NW40	55	130	FVT040134ST*
NW50	75	140	FVT050135ST*

All dimensions in mm
 *SS304/SS304L/SS316
 Custom length available on request

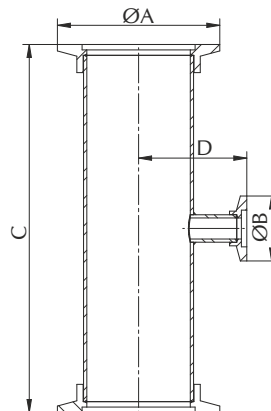
ISO KF EQUAL TEES



	A	B	C	Order Code
NW16	30	80	40	FVT016150ETE*
NW25	40	110	55	FVT025151ETE*
NW40	55	142	75	FVT040152ETE*
NW50	75	170	85	FVT050153ETE*

All dimensions in mm
 *S-Stainless steel, A-Aluminium

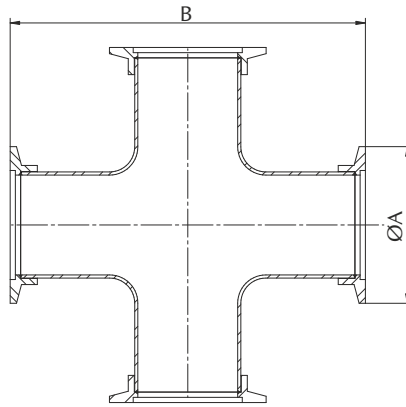
ISO KF REDUCING TEES



	A	B	C	D	Order Code
NW25 -16	40	30	110	40	FVT025160RTE*
NW40 -16	55	30	140	46	FVT040161RTE*
NW40 -25	55	40	140	62	FVT040162RTE*
NW50 -16	75	30	170	50	FVT050163RTE*
NW50 -25	75	40	170	70	FVT050164RTE*
NW50 -40	75	55	170	70	FVT050165RTE*

All dimensions in mm
 *SS304/SS304L/SS316

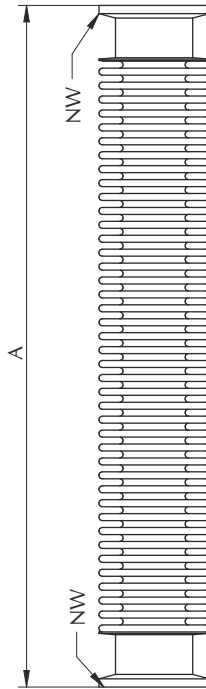
ISO KF FOUR WAY CROSS



	A	B	Order Code
NW 16	30	80	FVT016170FWC*
NW 25	40	110	FVT025171FWC*
NW 40	75	142	FVT040172FWC*
NW50	75	170	FVT050173FWC*

All dimensions in mm
*SS304/SS304L/SS316

ISO KF BELLOWS



	A	Order Code
NW16	1/2/3	FVT016145BL **/**
NW25	1/2/3	FVT025146 BL **/**
NW40	1/2/3	FVT040147BL **/**
NW50	1/2/3	FVT050148 BL **/**

All dimensions in mm
*SS304/SS304L/SS316
**1-250 LONG
**2-500 LONG
**3-1000 LONG



Flyvacuum Technologies Pvt. Ltd.

No.338, 9th Cross, 4th Phase

Peenya, Bangalore 560 058, Karnataka, INDIA

Tel.: +91 80 4852 1441

email: marketing@flyvacuum.com

www.flyvacuum.com