

WATER-COOLED CHEVRON BAFFLES

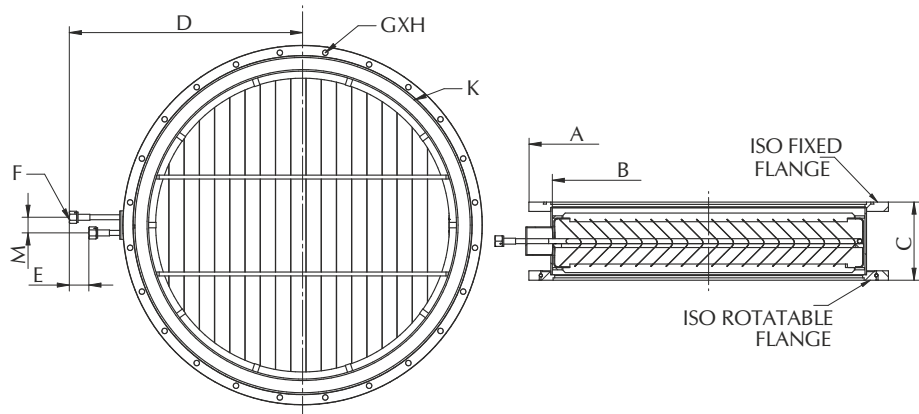
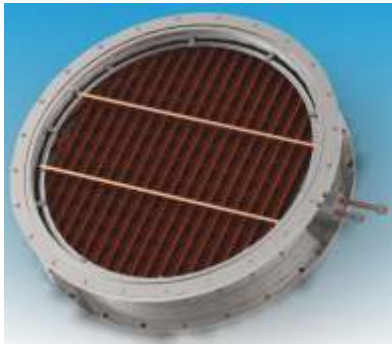
Main applications

The baffles are fitted above diffusion pump to effectively protect the vacuum chambers from the physical fuel backflow. The baffles are optically non-transparent and can be put to use in virtually all areas where a practically oil vapour free vacuum should be created. The casings are made of ordinary steel and the inserts like baffle plate, chevrons and coiling coil are made of copper.

Features

- Body construction : 304L Stainless Steel with Copper Chevrons
- Surface : Glass Bead Blast Finish at exterior and interior/powder coated exterior and interior electropolished.
- Opening sizes : 6– 40 inches ISO Flanges and ASA per customer request
- Seal : Viton O-rings seals
- Leak Rate : $< 1 \times 10^{-9}$ std cc/sec He
- Vacuum Rating : 1×10^{-7} torr (1.3×10^{-7} mbar)

Note: ANSI Flanges on request



FLANGE	ØA	ØB	C	D	E	F	GXH	ØK O-RING I/D C/S		M	Order Code
ISO 160	225	150	80	240	40	1/2" VCR(F)	Ø11X8Nos PCD200	HOLDER		20	FVT1601101CB
ISO 200	285	214	80	280	40	1/2" VCR(F)	Ø11X12Nos PCD260	HOLDER		20	FVT2001102CB
ISO 250	335	254	80	300	40	1/2" VCR(F)	Ø11X12Nos PCD310	HOLDER		20	FVT2501103CB
ISO 320	425	314	100	354	40	1/2" VCR(F)	Ø14X12Nos PCD395	HOLDER		20	FVT3201104CB
ISO 400	510	400	125	400	40	1/2" VCR(F)	Ø14X16Nos PCD480	HOLDER		20	FVT400110 7CB
ISO 500	610	500	175	510	50	1/2" VCR(F)	Ø14X16Nos PCD580	520	7	40	FVT5001105CB
ISO 630	750	630	175	560	50	1/2" VCR(F)	Ø14X20Nos PCD720	650	7	40	FVT6301106CB
ISO 800	920	800	200	600	50	1/2" VCR(F)	Ø14X24Nos PCD890	830	7	40	FVT8001108CB
ISO 1000	1120	1000	200	760	50	1/2" VCR(F)	Ø14X32Nos PCD1090	1023	7	40	FVT100011010CB



Flyvacuum Technologies Pvt. Ltd.

No.338, 9th Cross, 4th Phase

Peenya, Bangalore 560 058, Karnataka, INDIA

Tel.: +91 80 4852 1441

email: marketing@flyvacuum.com

www.flyvacuum.com