

# RIGHT ANGLE VALVE – RVP SERIES

## Main applications

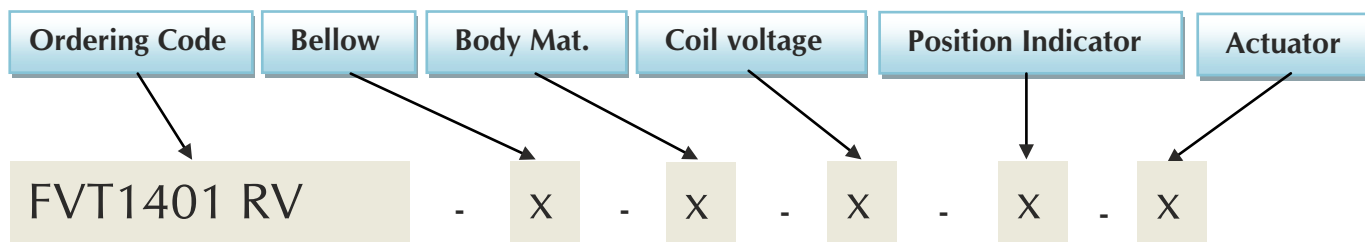
For pumping and venting of High Vacuum systems when an extremely low outgassing rate is important.

Model ordering Code	NW	
	mm	inch
FVT1401 RV	25	1
FVT1402 RV	40	1½
FVT2403 RV	50	2

Coil Voltages	Code
24 V DC	D
24 V AC.	A1
220 V AC.	A2
Without Coil	A0



## Ordering information: Example.



With Bellow – B, Without Bellow – O

Actuator – P (Pneumatic), M (Manual)

With Position Indicator – Y, Without Position Indicator – N

Body Material – S (Stainless steel), Al (Aluminum).

## Features

Body material: Aluminum / Stainless Steel.

Extremely low outgassing rate.

Resistant against differential pressure

Bellow seals

## Technical data

### Leak rate

Valve body	: <math> < 5 \times 10^{-10}</math> mbar ls-1
Valve seat	: <math> < 1 \times 10^{-9}</math> mbar ls-1

Pressure range	: $5 \times 10^{-12}$ m.bar to 2 bar (abs)
Differential pressure on the plate	: $\leq 1$ bar (g)

### Temperature

Valve body	: $\leq 150^{\circ}\text{C}$
Manual actuator	: $\leq 120^{\circ}\text{C}$ (without hand wheel $150^{\circ}\text{C}$ )
Pneumatic actuator	: $\leq 150^{\circ}\text{C}$
Solenoid valve, position indicator	: $\leq 80^{\circ}\text{C}$

### Material

Valve body	: Aluminum / AISI 304.
Plate	: AISI 304.
Bellows	: AISI 316L.

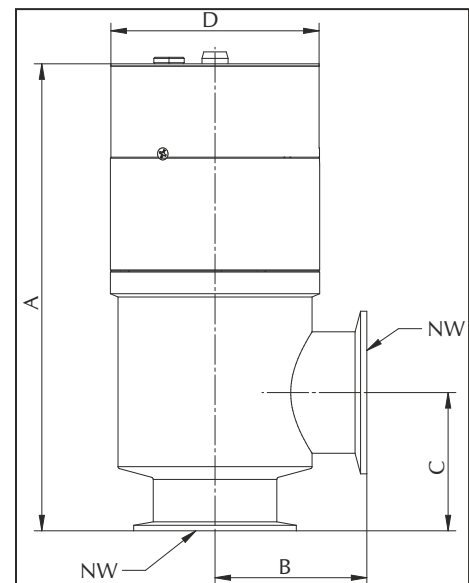
### Seal

Bonnet	: Viton
Plate	: Viton
Feed through	: Bellows
Mounting position	: Any
Solenoid valve	: As per Order.

### Position indicator: contact rating

Voltage	: 5 - 50 V AC / DC
Current	: 5 - 100 mA

## Mechanical details.



Model	NW	A	B	C	ØD	Wt.Kgs .
FVT1401 RV	ISO 25KF	160	48	43	68.5	0.92
FVT1402 RV	ISO 40KF	163	58	51	82.5	1.3
FVT2403 RV	ISO 50KF	218	70	64	96	2.43

## Spare parts

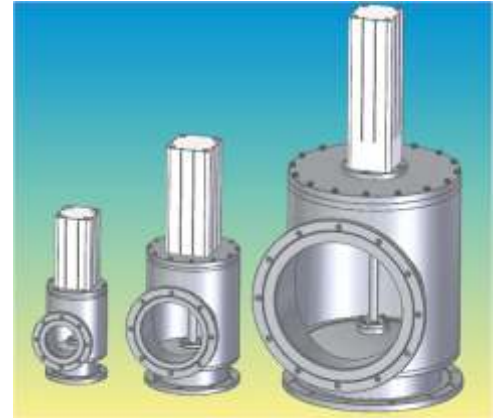
Seals Kit Order Code	NW	
	mm	inch
FVT1401 RV SK	25	1
FVT1402 RV SK	40	1½
FVT2403 RV SK	50	2

# RIGHT ANGLE VALVE – RVP SERIES

## Main applications

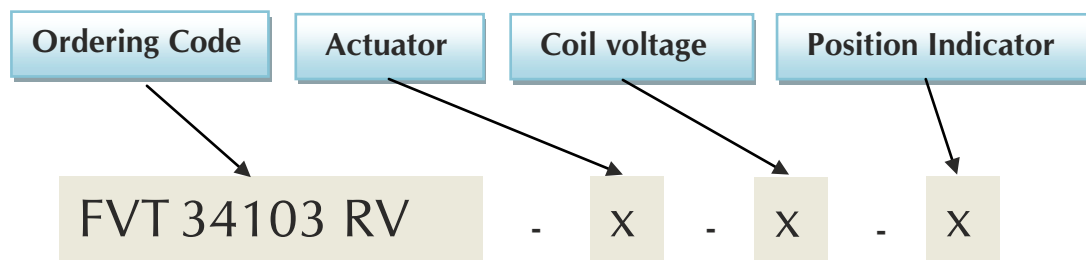
For pumping of High Vacuum systems when an extremely low outgassing rate is

Model Ordering Code	NW	
	mm	inch
FVT34103 RV	75	3
FVT44104 RV	100	4
FVT64106 RV	160	6
FVT84108 RV	250	10
FVT94109 RV	320	12



Coil Voltages	Code
24 V DC	D
24 V AC.	A1
220 V AC.	A2
Without Coil	A0

Ordering information: Example.



## Actuator – P (Pneumatic).

With Position Indicator – Y, Without Position Indicator – N

\*\* Body water cooling Optional for FVT64106 RV / FVT84108 RV & FVT94109 RV Valves.

## Features

Body material: Stainless Steel.

Extremely low outgassing rate.

Resistant against differential pressure

## Technical data

### Leak rate

Valve body	:	< $5 \times 10^{-10}$ mbar ls-1
Valve seat	:	< $1 \times 10^{-9}$ mbar ls-1

Pressure range	:	$5 \times 10^{-7}$ mbar to 2/4/6/10 bar (abs) (As per Order)
Differential pressure on the plate	:	≤ 1bar (g)
Cycles until first service	:	

### Temperature

Valve body	:	≤ 150 °C
Pneumatic actuator	:	≤ 150 °C
Solenoid valve, position indicator	:	≤ 80 °C

### Material

Valve body	:	AISI 304L.
Plate	:	AISI 304L.

### Seal

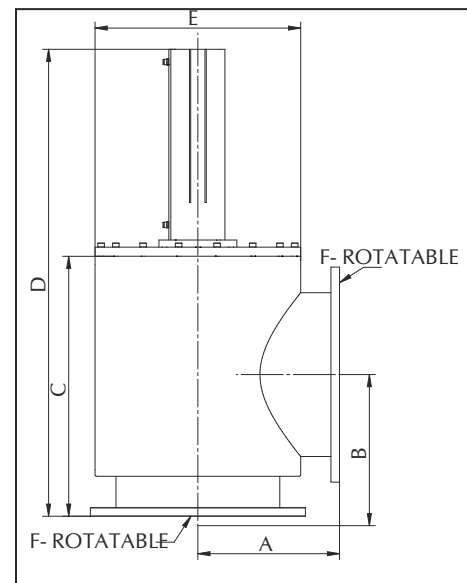
Bonnet	:	Viton
Plate	:	Viton
Mounting position	:	Vertical
Solenoid valve	:	As per Order.

### Position indicator: contact rating

Voltage	:	5 - 50 V AC / DC
Current	:	5 - 100 mA

Note: ANSI Flanges on request

## Mechanical details.



Model	NW	A	B	C	D	ØE	Wt.Kgs
FVT34103 RV	ISO 80F	120	120	216	402	142	11
FVT44104 RV	ISO 100F	140	140	266	467	168	16
FVT64106 RV	ISO 160F	170	170	315	590	219	26
FVT84108 RV	ISO 250F	230	230	426	790	324	51
FVT94109 RV	ISO 320F	280	280	514	923	406	84

## Spare parts

Seals Kit Order Code	NW	
	mm	inch
FVT34103 RV_SK	75	3
FVT44104 RV_SK	100	4
FVT64106 RV_SK	160	6
FVT84108 RV_SK	250	10
FVT94109 RV_SK	320	12

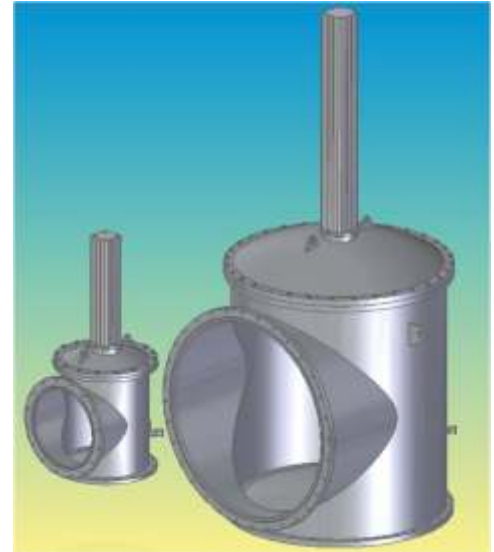
# RIGHT ANGLE VALVE – RVP SERIES

## Main applications

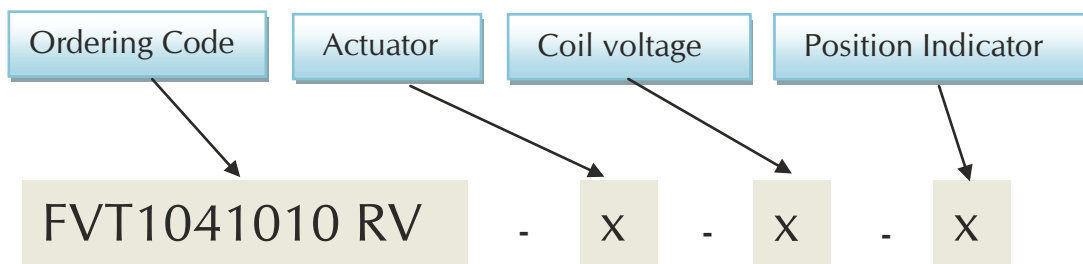
For pumping and venting of High Vacuum systems when an extremely low outgassing rate is important.

Model Ordering Code	NW	
	mm	inch
FVT1041010 RV	400	16
FVT1141011 RV	500	20
FVT1241012 RV	630	26
FVT1341013 RV	800	32
FVT1441014 RV	1000	40

Coil Voltages	Code
24 V DC	D
24 V AC.	A1
220 V AC.	A2
Without Coil	A0



Ordering information: Example.



## Actuator – P (Pneumatic).

With Position Indicator – Y, Without Position Indicator – N

\*\* Body water cooling Optional for FVT641010 RV / FVT841011 RV / FVT94112 RV / FVT94113 RV / FVT94114 RV Valves.

## Features

Body material: Stainless Steel.

Extremely low outgassing rate.

Resistant against differential pressure

## Technical data

### Leak rate

Valve body	: $< 5 \times 10^{-10}$ mbar ls-1
Valve seat	: $< 1 \times 10^{-9}$ mbar ls-1

Pressure range	: $5 \times 10^{-7}$ mbar to 2/4/6/10 bar (abs) (As per Order)
Differential pressure on the plate	: $\leq 1$ bar (g)
Cycles until first service:	

### Temperature

Valve body	: $\leq 150$ °C
Pneumatic actuator	: $\leq 150$ °C
Solenoid valve, position indicator	: $\leq 80$ °C

### Material

Valve body	: AISI 304L.
Plate	: AISI 304L.

### Seal

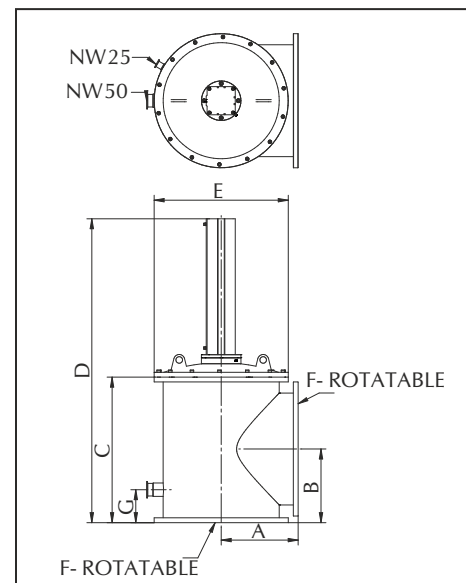
Bonnet	: Viton
Plate	: Viton
Mounting position	: Vertical
Solenoid valve	: As per Order.

### Position indicator: contact rating

Voltage	: 5 - 50 V AC / DC
Current	: 5 - 100 mA

Note: ANSI Flanges on request

### Mechanical details.



Model	NW	A	B	C	D	ØE	G	Wt.Kgs
FVT1041010 RV	ISO 400F	325	325	596	1092	500	100	123
FVT1141011 RV	ISO 500F	380	380	707	1035	614	150	187
FVT1241012 RV	ISO 630F	440	413	823	1728	750	145	267
FVT1341013 RV	ISO 800F	550	510	993	2120	920	230	366
FVT1441014 RV	ISO 1000F	650	630	1251	2574	1120	350	700

### Spare parts

Seals Kit Order Code	NW	
	mm	inch
FVT1041010 RV_SK	400	16
FVT1141011 RV_SK	500	20
FVT1241012 RV_SK	630	26
FVT1341013 RV_SK	800	32
FVT1441014 RV_SK	1000	40