

CF FLANGES AND FITTINGS

CF Flanges general specification.

Features

Suitable for UHV or high vacuum.

Seal made by stainless steel knife edge into copper or Viton® gasket.

Compatible with other manufacturers' Conflat® knife-edge flanges

Stainless steel grade 304

Specifications

Flanges 304SS

Gaskets OFHC Copper

Bolts SS Hexagonal socket

Torque

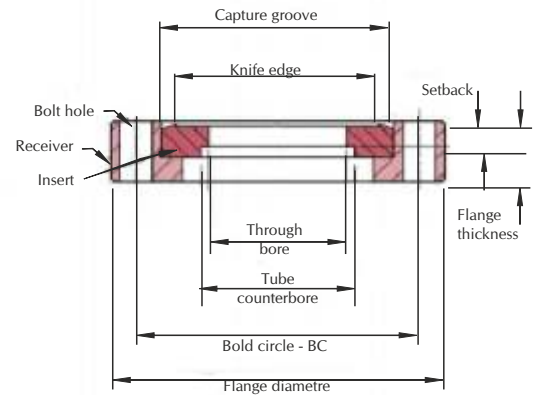
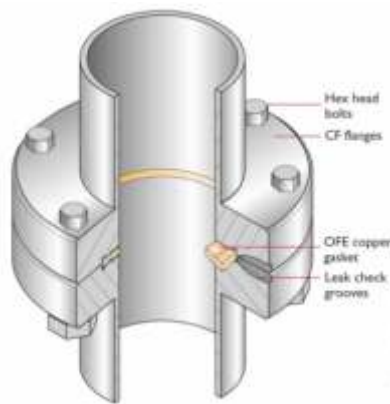
M4 9 Nm

M6 16 Nm

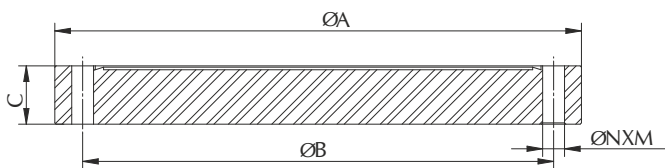
M8 20 Nm

M10 35 Nm

CF Flange parts nomenclature



CF BLANK FLANGE



	A	B	C	ØNX M. Nos	Order Code
DN16CF	34	27	7.2	4.4 6	FVT016600BF*
DN40CF	69.5	58.7	12.7	6.7 6	FVT040601BF*
DN63CF	113.5	92.1	17.3	8.4 8	FVT063602BF*
DN100CF	152	130. 2	20	8.4 16	FVT100603BF*
DN160CF	202.5	181	22.4	8.4 20	FVT160604BF*
DN200CF	253	231. 8	24.6	8.4 24	FVT200605BF*
DN250CF	306	284	28.5	8.4 30	FVT250606BF*

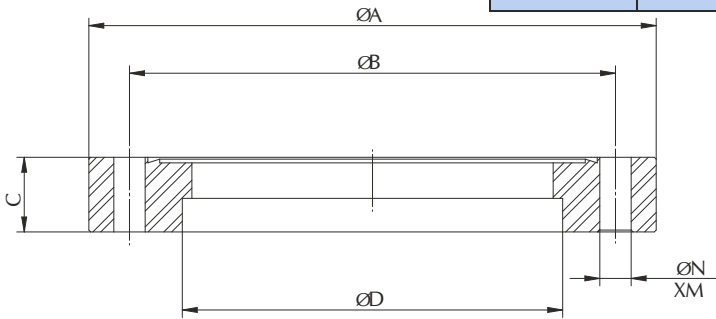
All dimensions in mm
*SS304/SS304L

CF NON ROTATABLE FLANGE

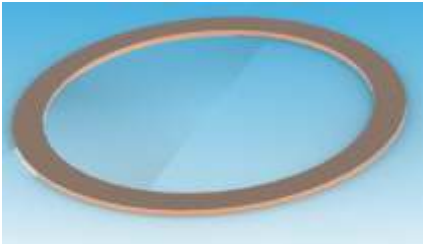


	A	B	C	D I/D O/D	ØNX M. Nos	Order Code
DN16CF	34	27	7.2	12.9 15.9	4.4 6	FVT016605NRF*
DN40CF	69.5	58.7	12.7	34.9 38.3	6.7 6	FVT040606NRF*
DN63CF	113.5	92.1	17.3	60.3 63.8	8.4 8	FVT063607NRF*
DN100CF	152	130.2	20	96.8 101.9	8.4 16	FVT100608NRF*
DN160CF	202.5	181	22.4	147.6 152.9	8.4 20	FVT160609NRF*
DN200CF	253	231.8	24.6	198.4 203.7	8.4 24	FVT200610NRF*
DN250CF	306	284	28.5	247.7 254.5	8.4 30	FVT250611NRF*

All dimensions in mm
*SS304/SS304L

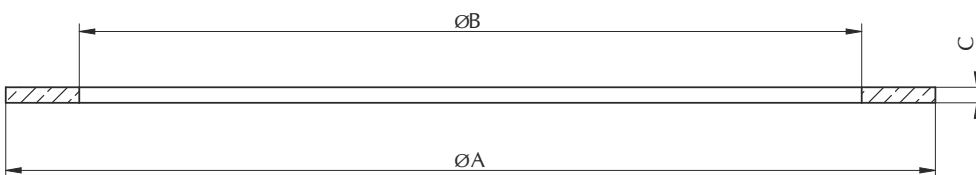


CF GASKETS

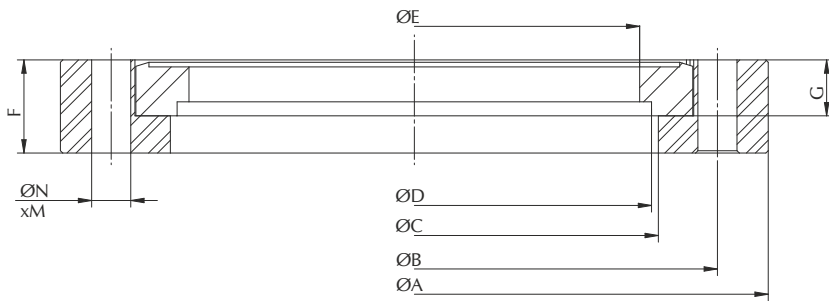


	A	B	C	Order Code
DN16CF	21	16	2	FVT016625CG*
DN40CF	48	37	2	FVT040626CG*
DN63CF	82	63	2	FVT063627CG*
DN100CF	120	101	2	FVT100628CG*
DN160CF	171	152	2	FVT160629CG*
DN200CF	222	203	2	FVT200630CG*
DN250CF	270	254	2	FVT250631CG*

*C-OFHC copper, A-aluminum
All dimensions in mm



CF ROTATABLE FLANGE



	A	B	C	D	E	F	G	ØNX M. Nos	Order Code
DN16CF	34	27	18	--	16.2	7.2	4.2	4.4 6	FVT016614RF *
DN40CF	69.5	58.7	39.6	38.2	35.2	12.7	8.7	6.7 6	FVT040615RF *
DN63CF	113.5	92.1	66.7	63.8	60.4	17.3	11.3	8.4 8	FVT063616RF *
DN100CF	152	130.2	104.8	101.9	96.8	20	12	8.4 16	FVT100617RF *
DN160CF	202.5	181	155.6	152.6	147.6	22.4	14.4	8.4 20	FVT160618RF *
DN200CF	253	231.8	206.4	203.6	198.4	24.6	14.6	8.4 24	FVT200619RF *
DN250CF	306	284	255	254.5	247.7	28.5	18	8.4 30	FVT250620RF *

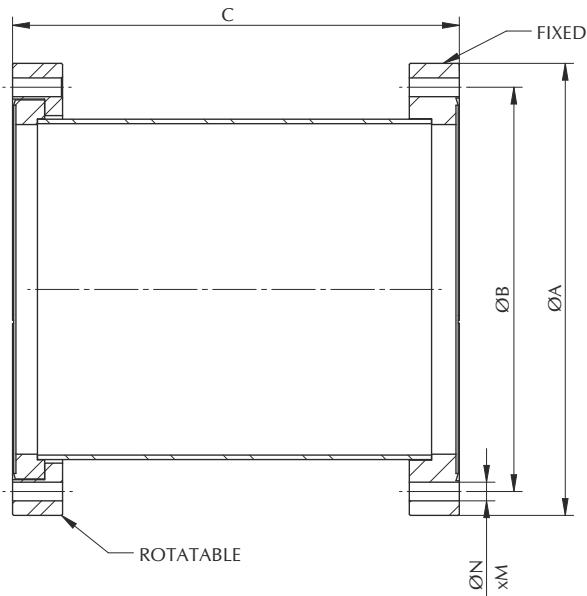
All dimensions in mm
*SS304/L-SS304L

CF STRIGHT NIPPLE

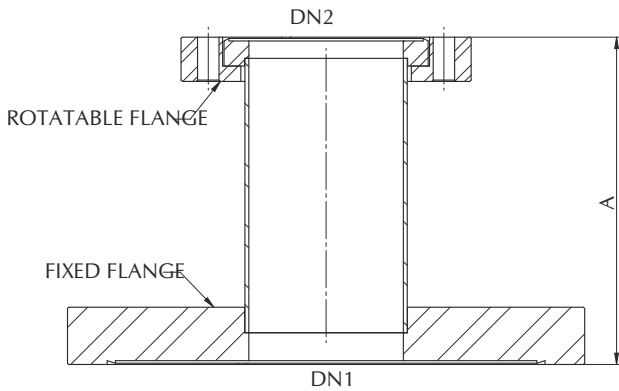


	A	B	C	ØNX M. Nos	Order Code
DN16CF	34	27	75	4.4 6	FVT016635SN*
DN40CF	69.5	58.7	100	6.7 6	FVT040636SN*
DN63CF	113.5	92.1	125	8.4 8	FVT063637SN*
DN100CF	152	130.2	150	8.4 16	FVT100638SN*
DN160CF	202.5	181	200	8.4 20	FVT160639SN*
DN200CF	253	231.8	250	8.4 24	FVT200640SN*
DN250CF	306	284	350	8.4 30	FVT250641SN*

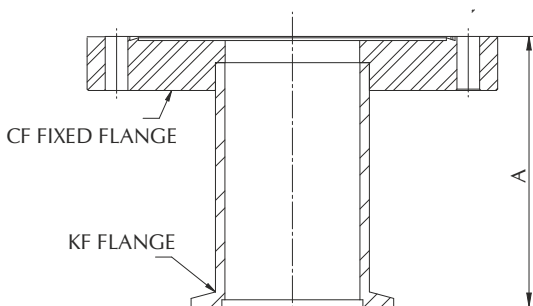
*CUSTOM LENGTHS AVAILABLE ON REQUEST
All dimensions in mm



CF REDUCING NIPPLE



CF TO KF ADAPTERS



DN1/DN2	A	Order Code
DN40/16CF	82	FVT063650RN*
DN63/16CF	82	FVT063651RN*
DN63/40CF	104	FVT063652RN*
DN100/40CF	106	FVT100653RN*
DN100/63CF	127	FVT100654RN*
DN160/40CF	107	FVT160655RN*
DN160/63CF	128	FVT160656RN*
DN160/100CF	150	FVT160657RN*
DN200/40CF	107	FVT200658RN*
DN200/63CF	128	FVT200659RN*
DN200/100CF	152	FVT200660RN*
DN200/160CF	200	FVT200661RN*
DN250/63CF	132	FVT250662RN*
DN250/100CF	156	FVT250663RN*
DN250/160CF	204	FVT250664RN*
DN250/200CF	254	FVT250665RN*

All dimensions in mm

*SS304/SS304L

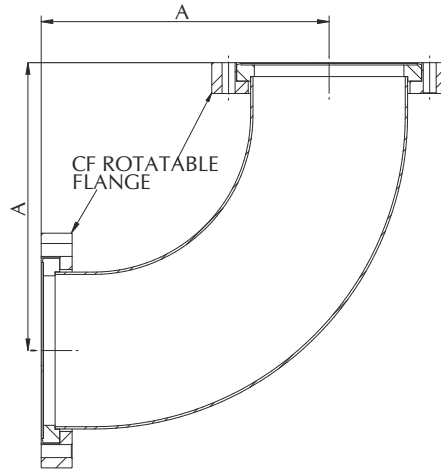
*CUSTOM LENGTHS AVAILABLE ON REQUEST

CF/KF	A	Order Code
DN16/16	70	FVT016670AD*
DN40/16	53	FVT040671AD*
DN40/25	70	FVT040672AD*
DN40/40	75	FVT040673AD*
DN63/16	52	FVT063674AD*
DN63/25	70	FVT063675AD*
DN63/40	75	FVT063676AD*
DN63/50	100	FVT063677AD*
DN100/25	75	FVT100678AD*
DN100/40	80	FVT100679AD*
DN100/50	100	FVT100680AD*

All dimensions in mm

*SS304/SS304L

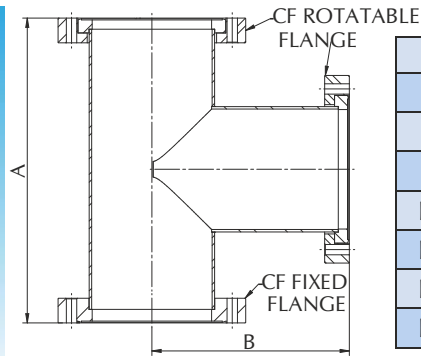
CF ROTATABLE ELBOWS



	A	Order Code
DN16CF	62	FVT016685 EB*
DN40CF	117	FVT040686 EB*
DN63CF	160	FVT063687 EB*
DN100CF	186	FVT100688 EB*
DN160CF	285	FVT160689 EB*
DN200CF	387	FVT200690 EB*
DN250CF	418	FVT250691 EB*

All dimensions in mm
*S-SS304, I-SS304L

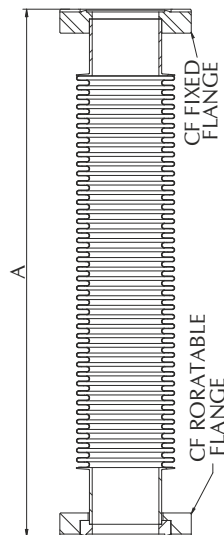
CF EQUAL TEES



	A	B	Order Code
DN16CF	75	38	FVT 016695 ET*
DN40CF	142	72	FVT 040696 ET*
DN63CF	177	100	FVT 063697 ET*
DN100CF	247	160	FVT 100698 ET*
DN160CF	300	162	FVT 160699 ET*
DN200CF	350	213	FVT 200700 ET*
DN250CF	430	238	FVT 250701 ET*

All dimensions in mm
*S-SS304, I-SS304L

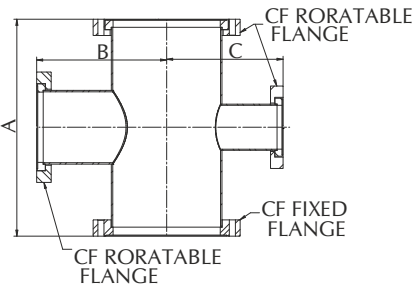
DN CF BELLOWS



	A	Order Code
DN16CF	1/2/3	FVT 016730 BL*
DN40CF	1/2/3	FVT 040731 BL*
DN63CF	1/2/3	FVT 063732 BL*
DN100CF	1/2/3	FVT 100733 BL*
DN160CF	1/2/3	FVT 160734 BL*
DN200CF	1/2/3	FVT 200735 BL*
DN250CF	1/2/3	FVT 250736 BL*

All dimensions in mm
*S-SS304, I-SS304L
*1-250 LONG
*2-500 LONG
*3-1000 LONG

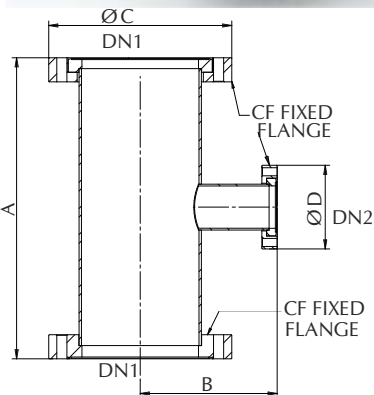
CF REDUCED CROSS



DN1/DN2/DN3	A	B	C	Order Code
DN63/40/16	173	75	75	FVT634016 RC*
DN100/40/16	250	115	90	FVT1004016 RC*
DN100/63/40	250	120	115	FVT1006340 RC*
DN160/63/40	300	170	150	FVT1606340 RC*
DN160/100/63	300	180	160	FVT16010063 RC*
DN200/63/40	350	190	175	FVT2006340 RC*
DN200/100/63	350	200	180	FVT20010063 RC*
DN250/63/40	430	210	200	FVT2506340 RC*
DN250/100/63	430	220	210	FVT25010063 RC*
DN250/160/40	430	240	200	FVT25016040 RC*

All dimensions in mm
*SS304/SS304L

CF REDUCED TEE



	A	B	C	D	Order Code
DN40/16	100	52	69.5	34	FVT 4016705RT *
DN63/16	180	75	113.5	34	FVT 6316706RT *
DN63/40	175	80	113.5	69.5	FVT 6340707RT *
DN100/16	250	110	152	34	FVT 10016708 RT*
DN100/40	250	114	152	69.5	FVT 10040709 RT*
DN100/63	250	110	152	113.5	FVT 10063710 RT*
DN160/40	300	150	202.4	69.5	FVT 16040711 RT*
DN160/63	300	160	202.4	113.5	FVT 16063712 RT*
DN160/100	300	180	202.4	152	FVT 160100713 RT*
DN200/40	350	175	253	69.5	FVT 20040714 RT*
DN200/100	350	200	253	152	FVT 200100715 RT*
DN200/160	350	200	253	202.5	FVT 200160716 RT*
DN250/40	430	200	306	69.5	FVT 25040717 RT*
DN250/100	430	210	306	152	FVT 250100718RT *
DN250/160	430	240	306	202.5	FVT 250160719 RT*

All dimensions in mm
*SS304/SS304L



Flyvacuum Technologies Pvt. Ltd.

No.338, 9th Cross, 4th Phase

Peenya, Bangalore 560 058, Karnataka, INDIA

Tel.: +91 80 4852 1441

email: marketing@flyvacuum.com

www.flyvacuum.com